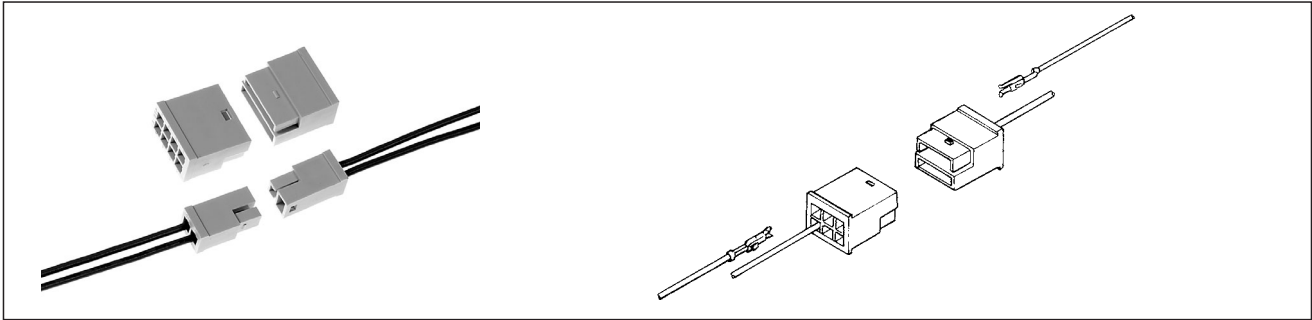


MF011 Series



特長 FEATURES

- ハウジング、端子共雌雄同一のため作業及び管理の合理化ができます。
- ハウジング・ロックは衝撃、振動に強くワンタッチで確実なロックが可能なフリクションロックを採用。
- 嵌合時全長は26mmと小型です。
- Since the male and female of both housing and terminal are the same, the work and control can be rationalized extensively.
- Housing lock is strong against shocks and vibration and is provided with a friction lock which can be accurately locked by one touch operation.
- Total length after fitting is only 26 mm.

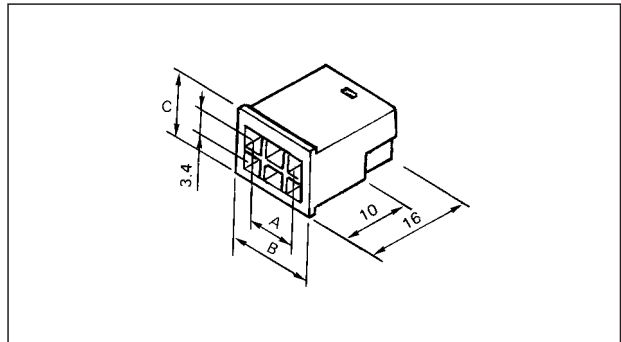
仕様 SPECIFICATIONS

1	極数	Poles	2,4,6,8,10,12,16P
2	ピッチ	Pitch	3.4×3.5mm
3	定格電圧	Rated Voltage	250V
4	定格電流	Rated Current	3A
5	耐電圧	Withstand Voltage	AC1500V 1minute
6	接触抵抗	Contact Resistance	10mΩ max.
7	絶縁抵抗	Insulation Resistance	1000MΩ min./DC500V
8	使用温度範囲	Temperature Range	-40℃~+105℃

材質 MATERIALS

ハウジング Housing	PBT (UL94V-0)
端子 Terminal	リン青銅/スズメッキ Phosphor bronze/Tin plating

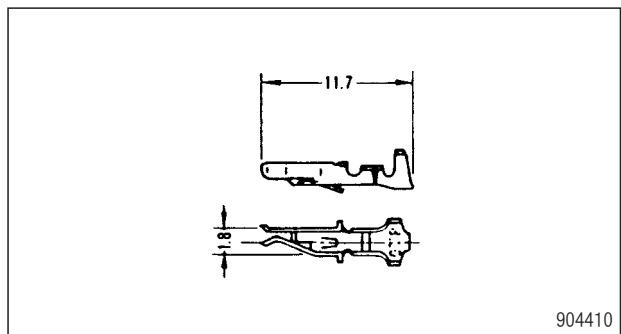
ハウジング HOUSING MF-011-□□



極数 Poles	注番 PartNo.	A	B	C	包装数量 Package pcs
02	MF-011-02	—	7.0	8.5	1,000
04	MF-011-04	3.5	9.6	9.3	1,000
06	MF-011-06	7.0	13.2	9.3	1,000
08	MF-011-08	10.5	16.6	9.3	1,000
10	MF-011-10	14.0	20.1	10.0	500
12	MF-011-12	17.5	23.6	10.0	500
16	MF-011-16	24.5	30.6	10.0	500

端子 TERMINALS

品番 Part No.	ワイヤレンジ Wire range	被覆外径 Ins. dia.	数量/リール Pcs/Reel	備考 Remarks
904410-2MN	(0.33~0.13mm ²) AWG#22~#26	Max. φ2.7	12,000×5R	



904410